



BIKE STORE WITH RAMP

ASSEMBLY INSTRUCTIONS



IMPORTANT ATTENTION

- A. Before commencing assembly check parts in box with illustrations on components page and thoroughly read the assembly instructions. Suggestions regarding siting options can also be found at www.trimetals.co.uk.
- B. In the unlikely event that this product has been delivered damaged, there are any parts not included or you are having difficulties with assembly please contact Trimetals directly. **DO NOT CONTACT THE RETAILER.** We will endeavour to correct any problems as quickly as possible.
- C. A firm, level and flat surface is required as a base for the product. The product must be secured / anchored to a hard base (e.g., concrete or paving slabs). The product may not function properly if the base is not flat and level.
- D. Do not assemble in windy conditions. If weather conditions change during assembly it is recommended that you stop and make the unfinished construction safe by temporarily anchoring the assembled parts to the base until conditions improve. This is to avoid personal injury to yourself or others and to protect the product panels from damage.
- E. Extra care should be taken to avoid cuts and abrasions from exposed edges during assembly. We strongly recommend the use of protective gloves, heavy duty long sleeved clothing and protective glasses.
- F. We recommend that two adults work on the assembly. Children should not assist with the assembly of the product and should be kept clear of the area when assembling the product.
- G. We recommend that this product be only used by adults.
- H. Precautions should be taken when the products are being used in exposed areas subject to high wind speeds. Care should be taken when they are opened to avoid damage.
- I. Do not locate the product where accumulations of water, snow or ice may drop on it from a height.
- J. It is your responsibility, to contact the local authorities to enquire if planning permission is required.
- K. For additional weatherproofing we recommend the use of a mastic type sealant that can be used to create a seal between panels, as well as the product and the ground.
- L. Retain these instructions after assembly is completed.

HELP LINE:

Tel: +44(0)1258 459441

Fax: +44(0)1258 480408

ASSEMBLY INSTRUCTIONS (to be read in conjunction with illustrations)

FOR FASTER ASSEMBLY WE RECOMMEND THE USE OF AN ELECTRIC SCREWDRIVER

STEP 1

- For ease of assembly we recommend that the base be assembled on a flat surface and care must be taken to ensure the base is square before the fasteners are fully tightened. Check squareness by measuring from corner to diagonal corner - and then repeat for the other side - the measurements should be the same.
- The product is designed to be bolted down onto a flat and level concrete base with a recommended thickness of 100mm (4"). The concrete used must be of a grade offering compatible resistance to attack.


STEP 1c.

- Using 6x Coach Bolt (part 39) and M5 Nyloc Nut. (part 36) Secure the frame in position as shown. Tighten all fasteners.

STEP 1d.

- Fit 2 lock brackets (part 40) to inside of fold down frame as shown using 2x M5 Bolt (part 14).
- Adjust lock brackets to ensure magnets secure the fold down plate in the upright position.

STEP 2

- From now on all fasteners should be loosely fixed. Do not fully tighten them until you are told to do so.
- **When you see the Red Spanner icon  tighten indicated fasteners.**
- All bolts on this page are part 14 and all nuts are part 36.

STEP 3

- Remember to only loosely fix the fasteners until you are told to tighten them.
- Be sure to place part 34 the correct way round - see small detailed diagram.

STEP 5

- See illustration

STEP 6

- All bolts on this page are part 14 and all nuts are part 36.
- Make sure part 20 (top back panel) is inserted into top rail (part 34) as illustrated.

STEP 7

- The left hand link arm part 12L (which is marked by a circle of coloured tape) must be fitted to the left hand side of the unit as shown in the diagram.
- Identify part 12L and feed one washer (part 13) onto it followed by a link arm bracket (part 11). Push both round until they are on the length of tube that has two holes pierced through it and so that the raised end of the bracket (part 11) will be facing away from the unit when attached. Feed the link arm (part 12L) through the hole in the left hand side panel (part 4L) from the outside and then through the side panel stiffener located on the inside of the side panel (part 4L) then feed another washer (13) onto the link arm (part 12L) from the inside and secure the assembly with two clips (part 19) through the two holes provided in the link arm (12L), one on the outside of the unit and one on the inside. Secure the link arm bracket (part 11) with parts 14 and 36.
- Repeat the above procedure to attach the right hand link arm (part 12R).
- In stage 7d make sure the hook on part 16 is facing the side panel (part 4) and do not over tighten the nut (part 35) at any time as the spring lever (part 16) must move freely.

STEP 8

- Slide part 9 into the top rail (part 34) and secure with the end stop (part 23) and thread forming screw (part 17).

STEP 9

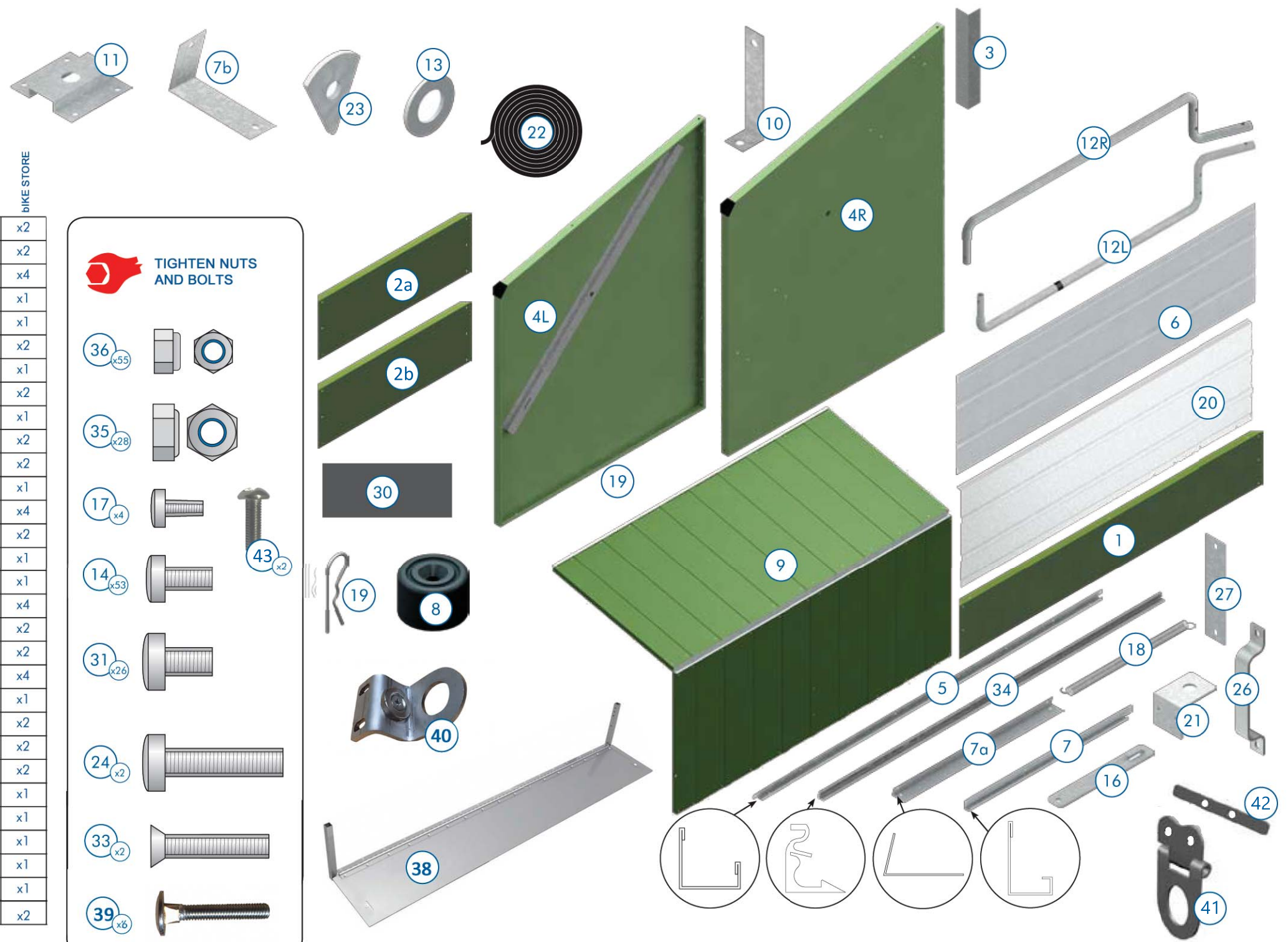
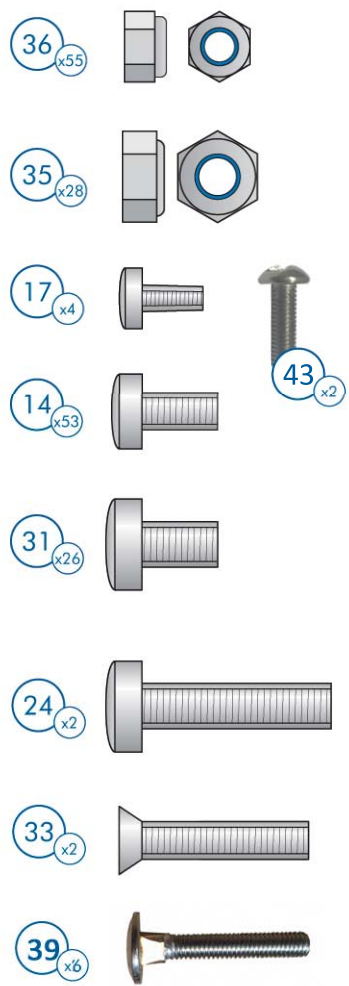
- Note that part 27 is placed on the back of door panel.
- The torsion bar (part 25) should already be in place at the back of the door.
- Push the left hand link arm (12L) through the hole in the side of the door panel (part 9) and into the torsion bar (part 25), repeat this on the right hand side and twist the bar to line up with the holes (either end) in the link arms then screw in the thread forming screws (part 17) to secure. Do not close the door until these screws are fully tightened.
- Identify the weatherstrip (part 22) and apply to side panels (part 4) along both the top and front edges. Strip the backing off a little at a time and starting at the top of the side panel butt the strip up against the top rail (part 34) and stick along the top edge of the side panel down to the plastic corner moulding. Cut weatherstrip (part 22) and continue from below the corner moulding down to the front base section. Repeat for the other side.
- Both springs (part 18) are identical; one hooks upwards and the other hooks downwards.
- Note that as fastener packs are standard for all units you may have some fasteners spare after completion of assembly.

STEP 10.

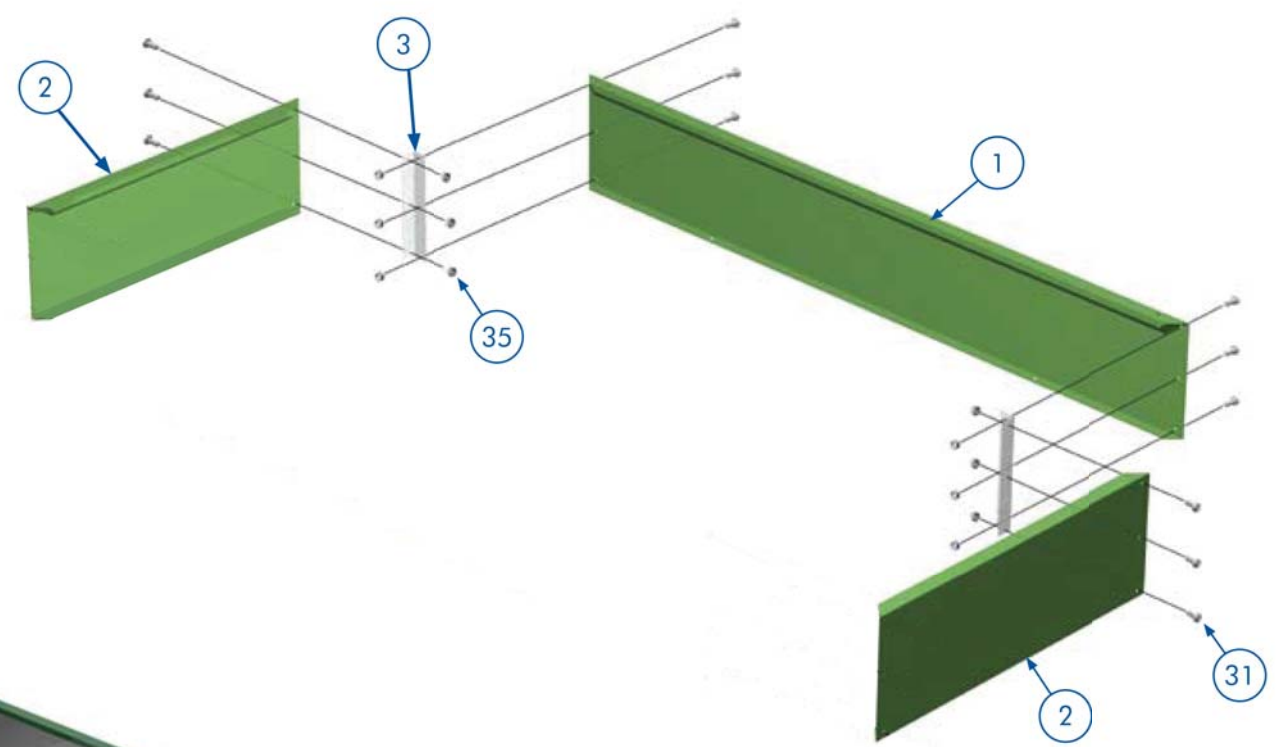
- Hold the hasp against the bottom section of the door (on the inside) and ensure the hasp moves freely over the lock bracket.
- Keeping the hasp level mark where the two holes are to be drilled. Drill through the section on the back of the door using drill bit supplied - do not drill through the door itself.
- Secure the hasp in position using the bolts and locknuts provided (make sure you place the back plate in position).

PART NO.	BIKE STORE
1	x2
2	x2
3	x4
4L	x1
4R	x1
5	x2
6	x1
7	x2
7a	x1
7b	x2
8	x2
9	x1
10	x4
11	x2
12L	x1
12R	x1
13	x4
16	x2
18	x2
19	x4
20	x1
21	x2
22	x2
23	x2
26	x1
27	x1
30	x1
34	x1
38	x1
40	x2

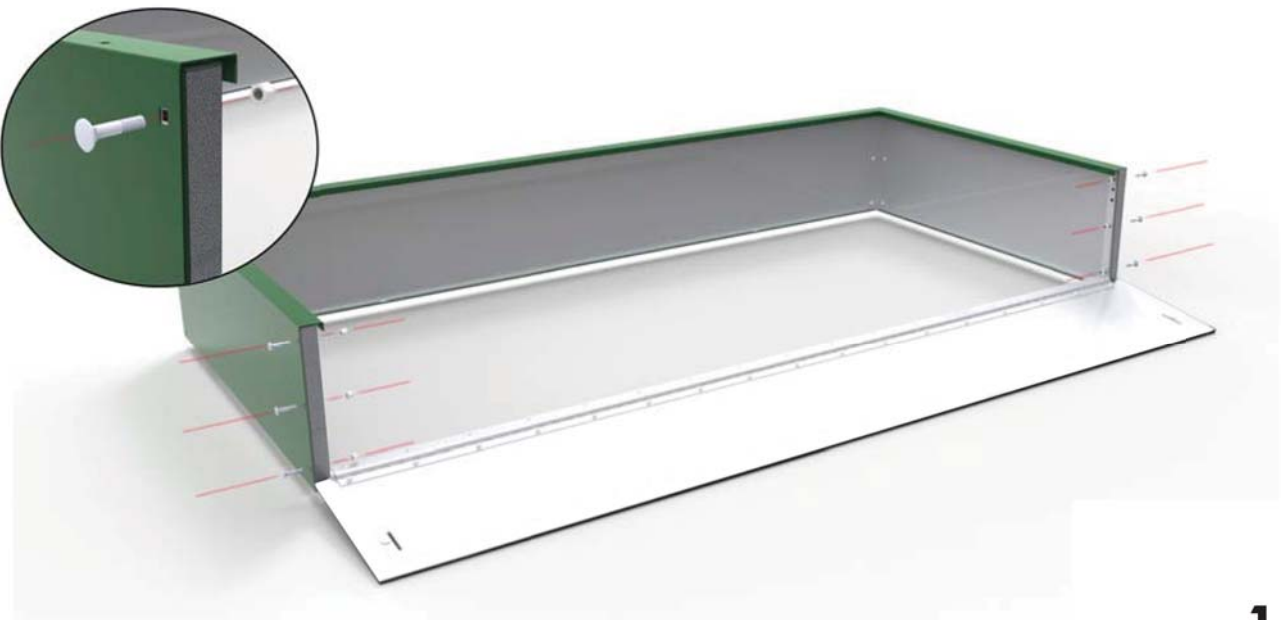
 **TIGHTEN NUTS AND BOLTS**



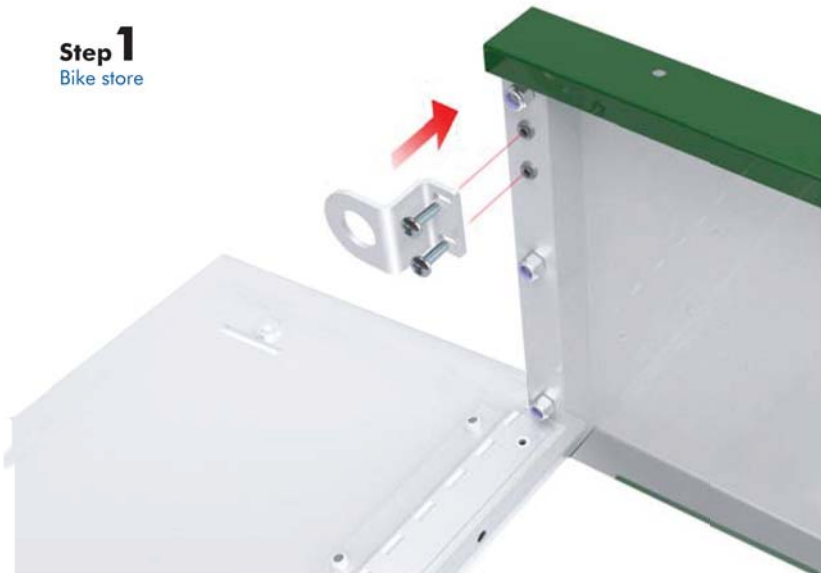
Step 1
Bike store



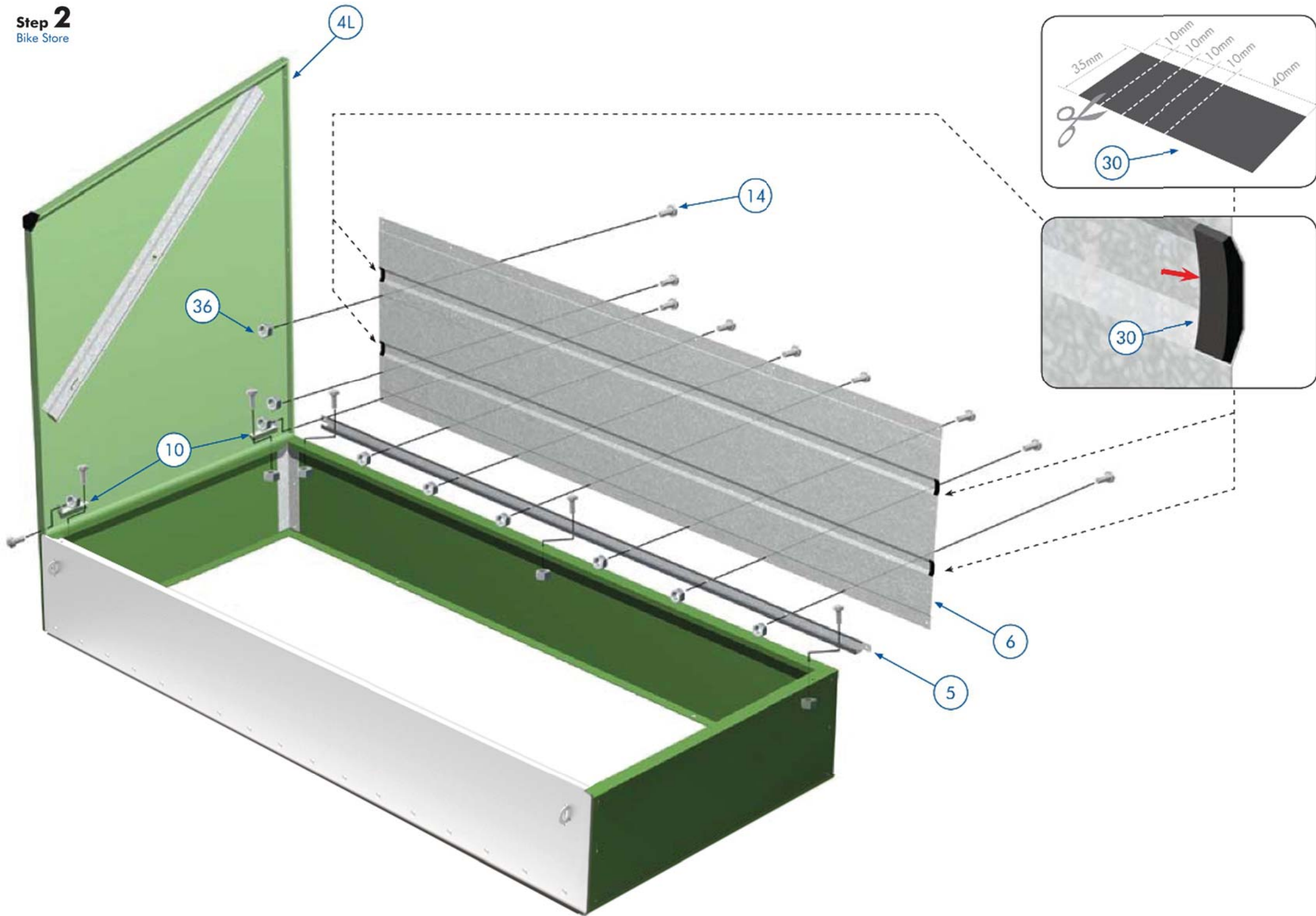
Step 1
Bike store

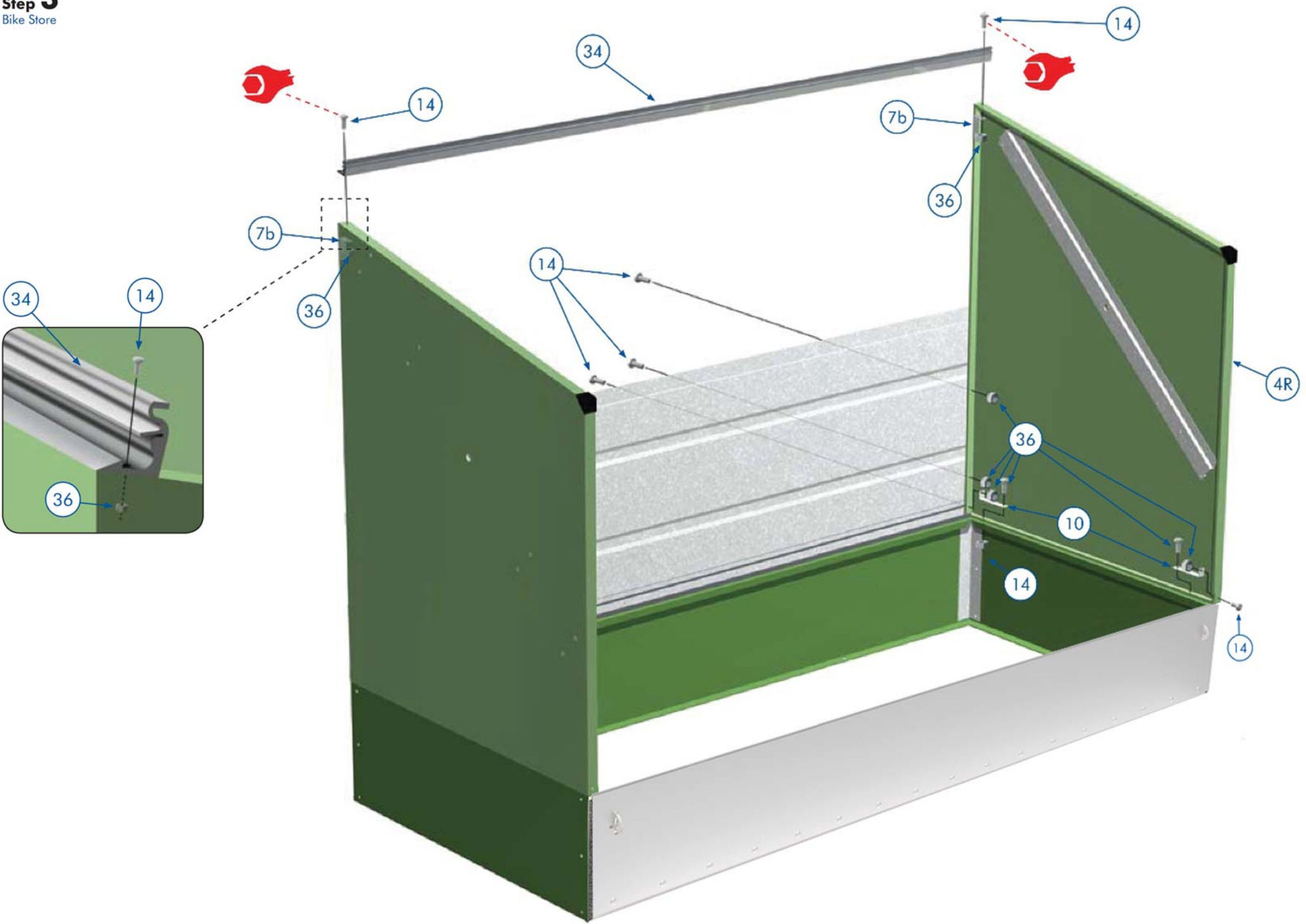


Step 1
Bike store

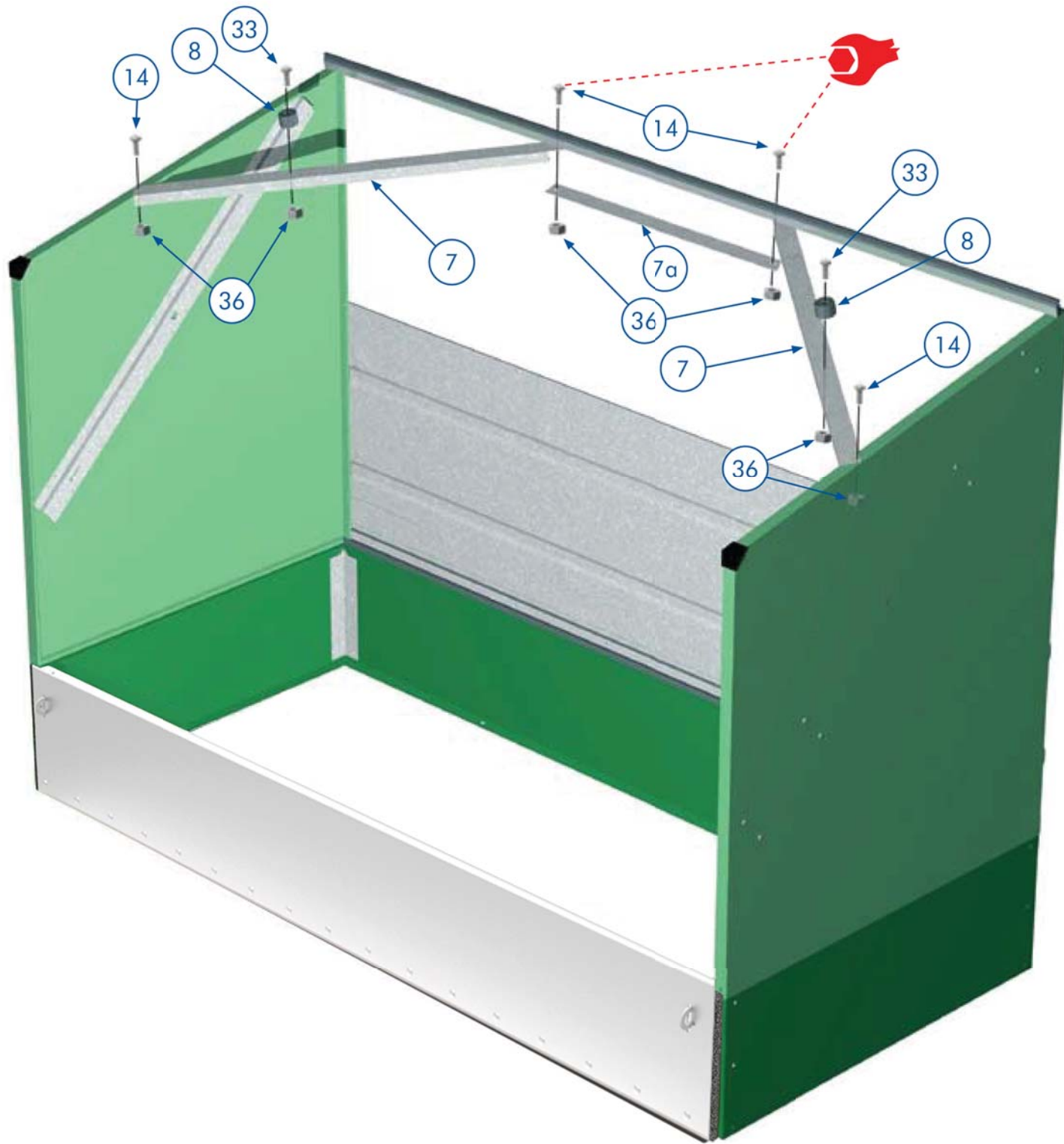


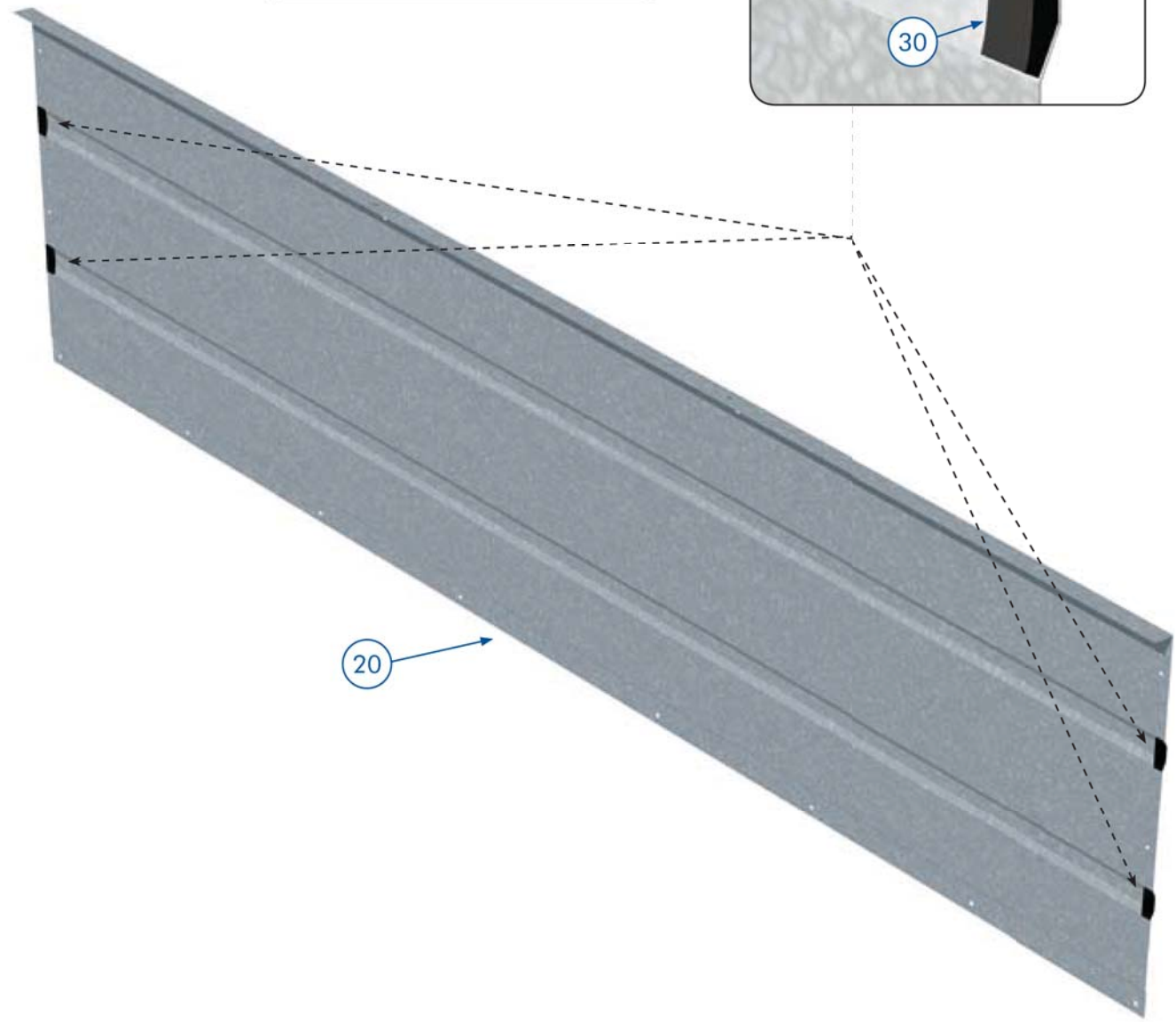
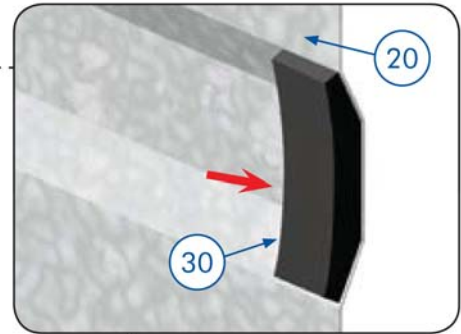
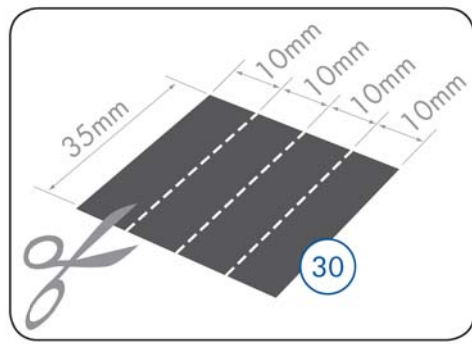
Step 2
Bike Store

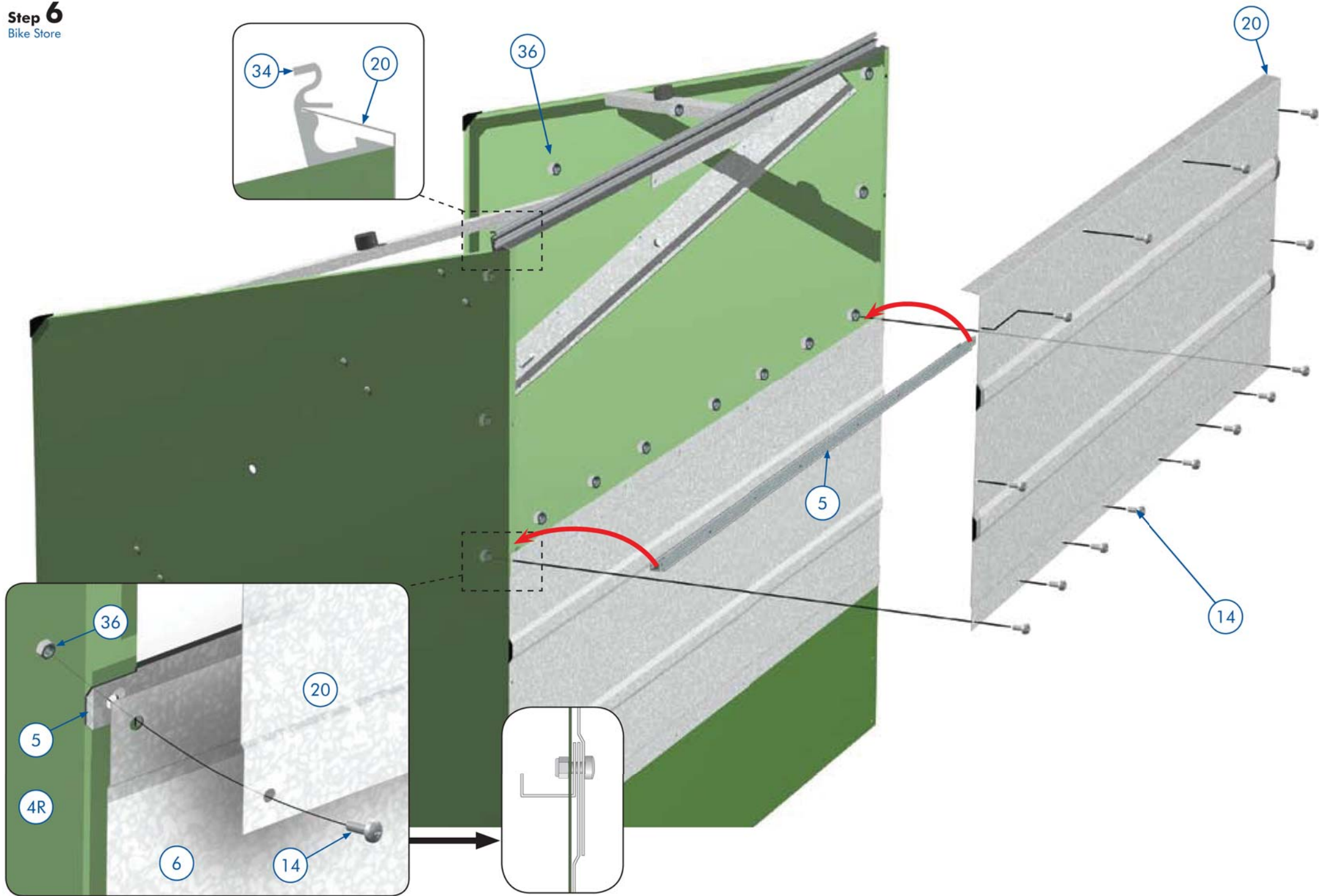




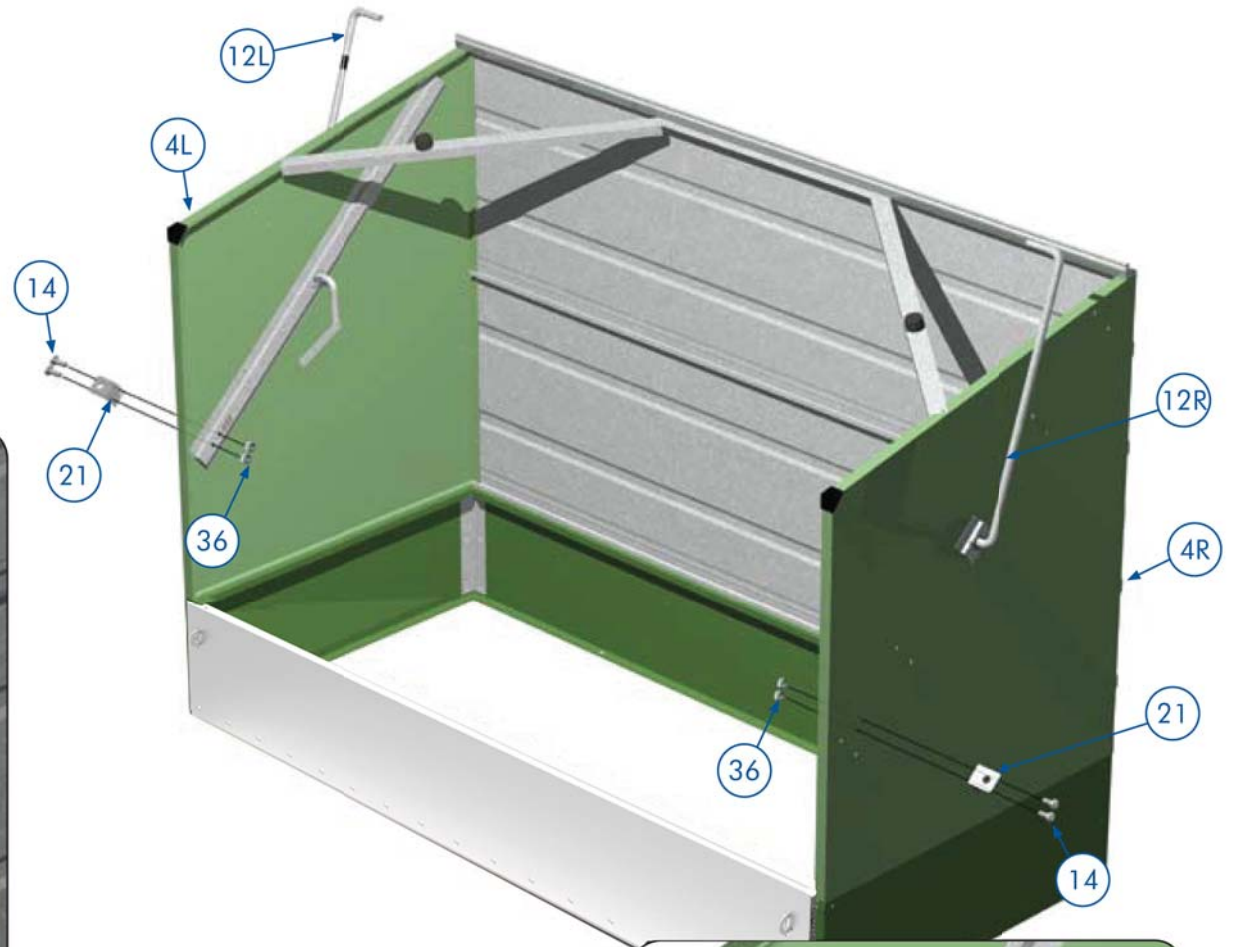
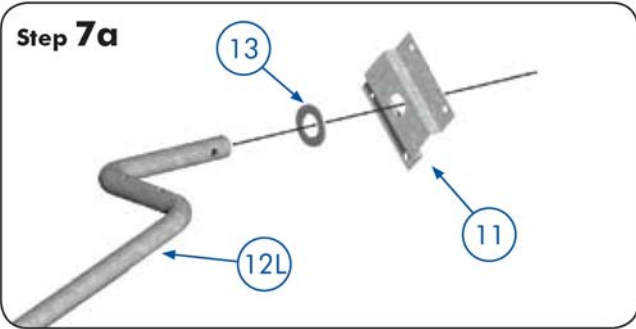
Step 4
Bike Store



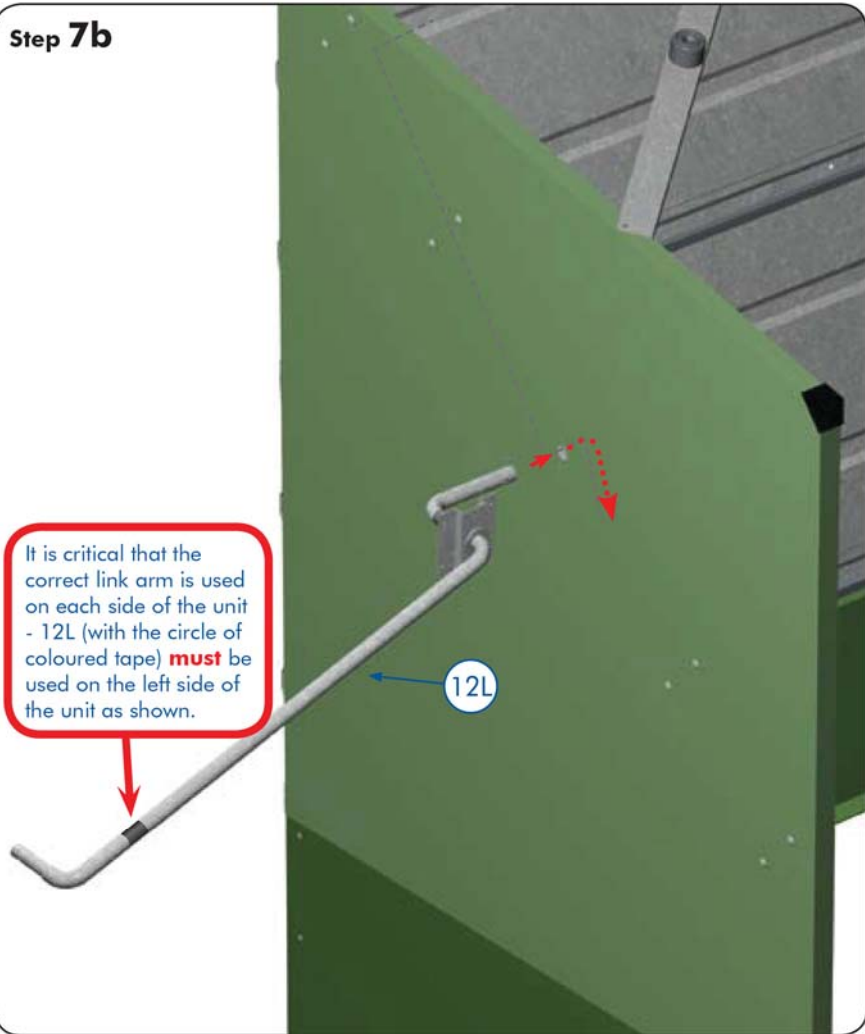




Step 7a

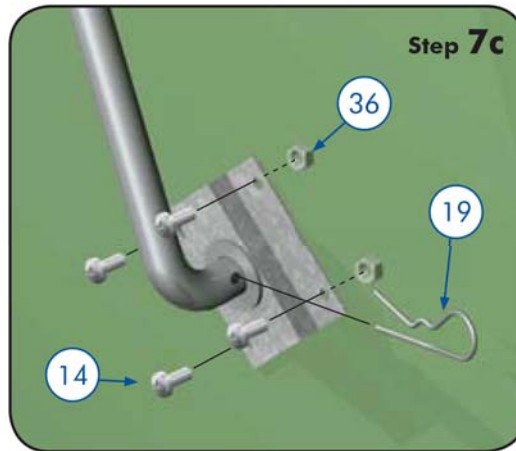


Step 7b

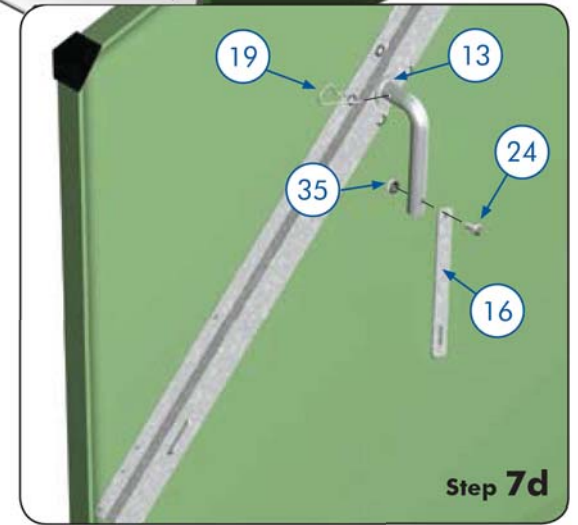


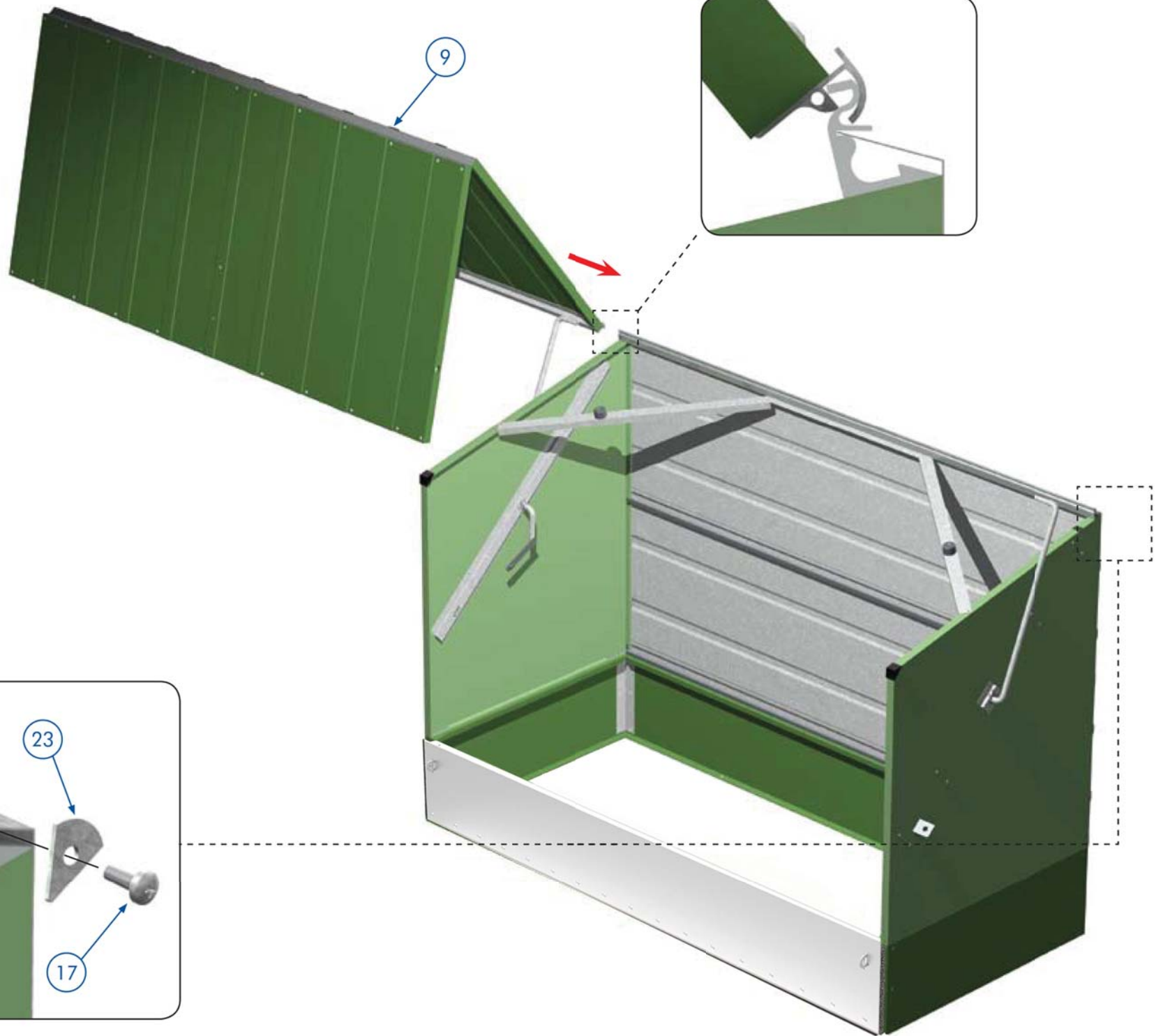
It is critical that the correct link arm is used on each side of the unit - 12L (with the circle of coloured tape) **must** be used on the left side of the unit as shown.

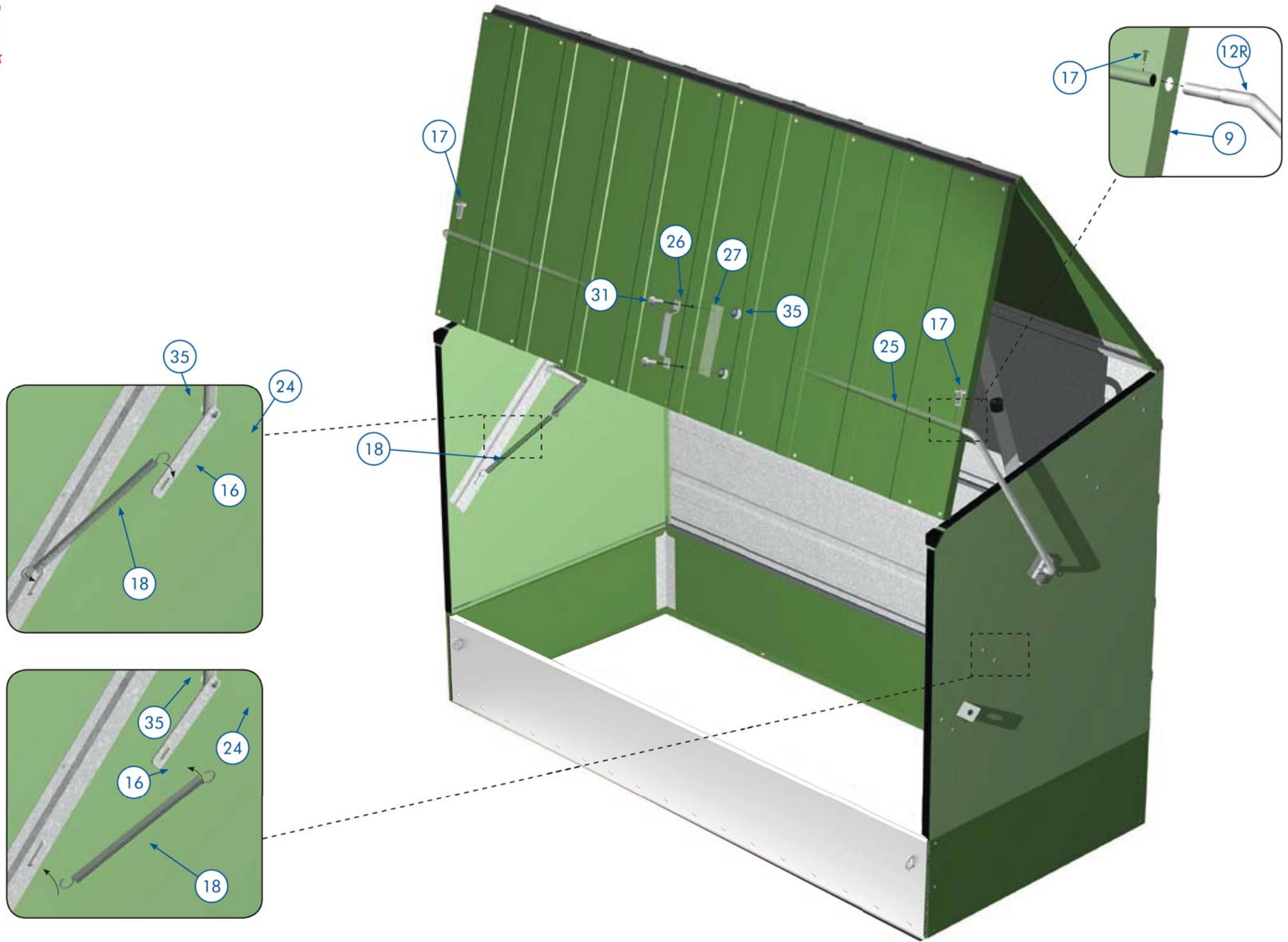
Step 7c



Step 7d











Care and Maintenance

- A. Never climb on the roof or lean items against the product.
- B. Our products are not intended for habitation and must not be used in this way.
- C. Do not store items inside the product which are sensitive to humidity or variance in temperature.
- D. Do not place or store any hazardous materials inside the product.
- E. The roof must be kept clean and free from extra loads. Large amounts of accumulated snow may cause damage and could also make the structure dangerous to enter.
- F. The product should be washed with water and a mild detergent every three months; if used in a coastal environment subject to salt conditions this should be increased to every month. Never use a pressure washer on the product.
- G. We recommend that moving parts (including locks) be lubricated on a six month basis.
- H. Regularly check your product for loose fasteners (screws, bolts and nuts, etc.) and tighten them if required.
- I. Any building, including the product, which is not insulated may be subject to condensation. To minimise this we would recommend that heavy duty polythene sheeting is placed under the base area to limit moisture rising from the ground; while the base must be flat and level always ensure that water drains away from the product area rather than into it. The use of polystyrene sheets adhered to the panels inside the product can be used as insulation if required.
- J. All of our products are manufactured from metal and can therefore become hot if subjected to direct sunlight. If possible, place the product in locations which are not subject to long periods of direct sun light.

Our disclaimers

It is your responsibility to determine whether you or your assembler have the necessary skill, knowledge and tools to properly and safely assemble the product described in these assembly instructions. Please note that improper assembly may cause risk to the personal safety and property of yourself and others.

Trimetals Ltd does not in any way limit or exclude our liability for death or personal injury caused by our negligence. Subject to this, we shall not in any circumstances be responsible for any loss or damage you may suffer in connection with the assembly as a result of your failure to follow these assembly instructions unless this is foreseeable or a result of our negligence.

By assembling (or continuing to assemble) the product, you acknowledge that you understand the nature and limit of this disclaimer. Your statutory rights are not affected by this disclaimer.

The products are intended for domestic and private use. If you use the products for any commercial, business or re-sale purpose, we shall have no liability to you for any loss of profit, loss of business, business interruption, or loss of business opportunity caused by any failure.

TRIMETALS LIMITED'S PRODUCT WARRANTY - UK

Our storage products are supplied in accordance with our warranty against product failure resulting from material defects in workmanship and materials as follows:

- PVC coated galvanized steel panels – 25 years (rust perforation) for Europe only.
- All other components – 1 year

The warranty period starts on the date of purchase.

A warranty claim has to be made within 14 days after you discover or should have discovered the defect. Our liability under this warranty is limited to the repair and replacement of the defective part of the product and prompt notification allows us to deal with your claim as quickly as possible.

Exclusions

We will not be liable for a breach of any of this warranty if any of the following circumstances apply:

- A. the defect is caused by your failure to follow assembly instructions in respect of the installation or other information provided by us in our brochures or website regarding the product;
- B. you alter, modify or repair the product in any way;
- C. you use the product for a purpose for which it was not designed;
- D. the defect arises from reasonable wear and tear, wilful damage, accident or negligence by you or any third party;
- E. the defect is caused by exceptional weather conditions (including, but not limited to storms, wind, snow, rain) or from any goods stored within the product;
- F. you did not purchase the product from an authorised dealer;
- G. you dismantle and rebuild the product;
- H. damage or scratches to paint are not repaired promptly (please contact us for advice regarding repair damage to paintwork);
- I. changes to the colour of the product caused by normal weathering;
- J. you do not follow the care and maintenance recommendations as set out in our assembly instructions;
- K. you use the product to store harmful, hazardous or corrosive chemicals or you operate items within the product which may cause condensation, for example, washing machines, dryers or generators; or
- L. accidental damage or damage caused by vandalism or forced entry.

This warranty does not confer any rights other than those expressly set out above and does not cover any claims for consequential loss or damage where our liability is limited to the price you paid for the product.

This warranty is not transferable.

You have legal rights in relation to the product. This warranty is afforded by us as an extra benefit and does not affect any other legal rights you may have as a consumer. Advice about your legal rights is available from your local Citizens' Advice Bureau or Trading Standards office.

Claims Procedure

Please contact Trimetals Limited at Sunrise Business Park, Higher Shaftesbury Road, Blandford Forum, Dorset, DT11 8ST, United Kingdom or info@trimetals.co.uk

When making a warranty claim, you have to provide us with proof of purchase of the product, preferably, the original receipt or product registration card. We may also require you to provide us with reasonable evidence of the defect, for example, a photograph, if it is not possible to send the product part to us.



Trimetals has been established for 45 years and is firmly placed as Europe's leading producer of quality metal storage buildings and metal garden sheds.

The unique designs which maximise strength and rigidity are unmatched by any other manufacturer and our 25 year panel guarantee is your assurance that our range of buildings are the very best available.

Please do not confuse our products with cheap and flimsy substitutes or plastic alternatives. Our buildings are strong, secure, fire resistant and maintenance free, giving you real value for money. We pride ourselves in our reputation for superior products and are sure you will be completely satisfied with any product in our extensive range.

www.trimetals.co.uk



Sunrise Business Park, Higher Shaftesbury Road,
Blandford Forum, Dorset, DT11 8ST. UK

Tel: +44(0)1258 459441

Fax: +44(0)1258 480408

Email: trimetals@btconnect.com

Web: www.trimetals.co.uk